

SmartLetUSee/ LCD



EN 54-2
EN 54-4
EN 54-21

REMOTE REPEATER PANEL



This optional device is equipped with LEDs, keys and a display. It operates with the following control panels:

- SmartLoop
- SmartLight
- SmartLine

When combined with a SmartLoop control panel, it replicates all the control panel functions and allows programming and maintenance operations.

When combined with a SmartLight or SmartLine control panel, it allows users to view active events and carry out the operations authorized for access level 2 (reset, silence, etc.).

In order to provide users with easy access to system, these repeater panels should be located in the entrances/exits of the protected premises. The connections must be completed using 4 pole shielded twisted pair cable (STP) which also supplies the power to the repeater panels. Maximum cable length 1000 m.

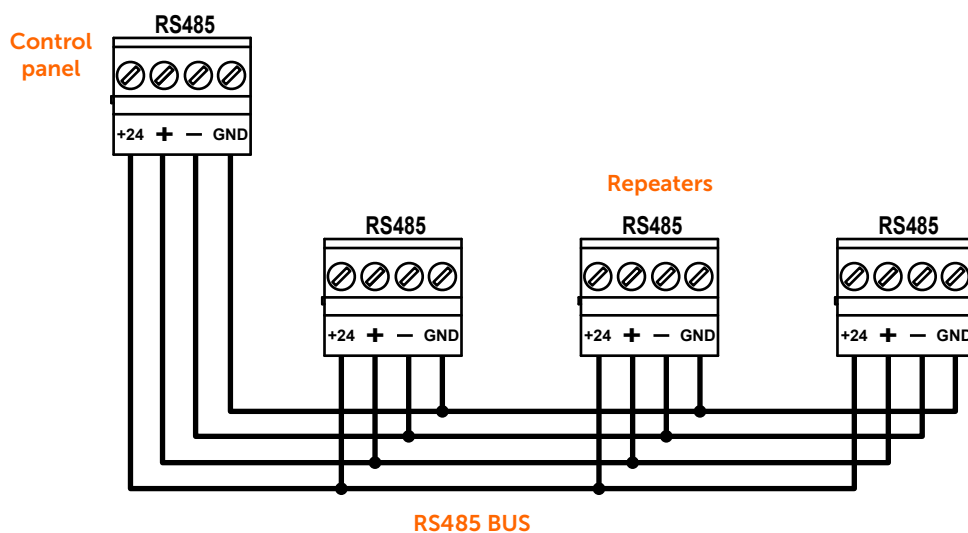
MAIN FEATURES

- Compatible with SmartLoop, SmartLight and SmartLine control panels
- Connects by means of shielded twisted pair cable (4 poles)
- 1000 mt MAX
- Communication over RS485
- Up to 14 repeaters for SmartLoop control panels
- Up to 4 repeaters for SmartLight and SmartLine control panels

TECHNICAL SPECIFICATIONS

- Power supply voltage: 24 Vdc
- Current consumption 40 mA
- Operating temperature: -5° .. +40°
- Dimensions: 193x 367x60 mm
- Weight: 2.5 Kg

CONNECTIONS



ORDER CODES

SmartLetUSee/LCD: remote LCD repeater panel

SmartLetUSee/LCD-Lite: remote repeater panel with LCD screen, compatible with SmartLight and SmartLine panels only

SmartLetUSee/LED: remote repeater panel with LEDs, connectable to a SmartLetUSee/LCD when the latter is connected to a SmartLoop control panel