

# ISB1000



EN 54-3  
EN 54-23



0051  
0051-CPR-1318  
0051-CPR-1319  
0051-CPR-2037  
0051-CPR-2038

**NON-ADDRESSABLE BASES  
WITH VISUAL/AUDIBLE ALARM INDICATOR  
(DRIVEN BY TERMINAL R ON THE DETECTOR)**



**ISB1010  
ISB1011  
ISB1030**



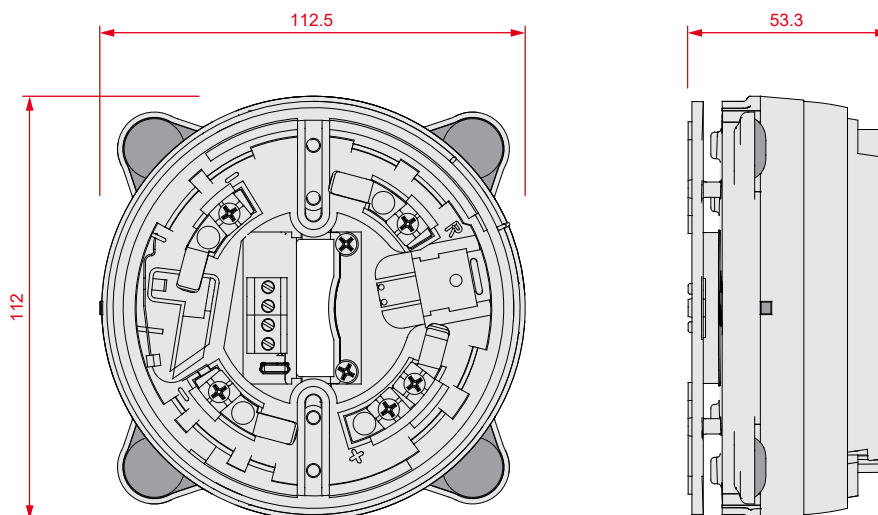
**ISB1020  
ISB1021  
ISB1050**

Bases for Enea series detectors with audible/visual-audible alarm indicator, activated by the R output of the detector. IP21 protection rated.

It is possible to select the alarm tone choosing between 14 tones available, to adjust the volume and the flasher intensity (only for models with visual alarm indicators).

For models with the voice alarm function, besides the 14 tones, it is also possible to choose from the 16 voice messages available in 8 different languages. The EDRV2000 also provides the customization of tones and voice messages.

Loop powered.



## Main features

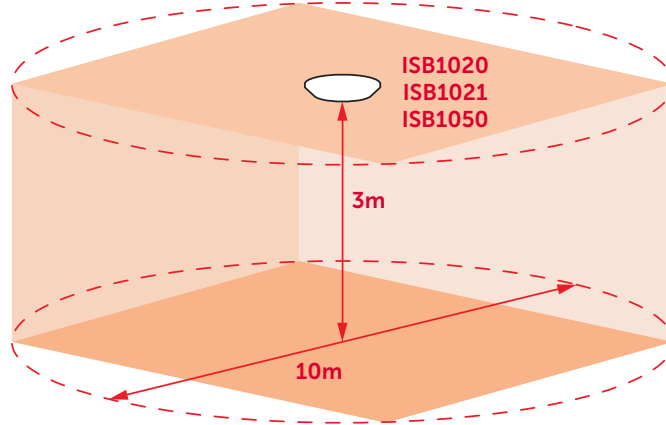
	ISB1010	ISB1011	ISB1020	ISB1021	ISB1030	ISB1050
Operating voltage	18 - 30V $\overline{\text{ac}}$	20 - 30V $\overline{\text{ac}}$	18 - 30V $\overline{\text{ac}}$	20 - 30V $\overline{\text{ac}}$	18 - 30V $\overline{\text{ac}}$	18 - 30V $\overline{\text{ac}}$
Stand-by current draw	200 $\mu$ A	500 $\mu$ A	200 $\mu$ A	500 $\mu$ A	200 $\mu$ A	200 $\mu$ A
Maximum current draw	25mA	5mA	40mA	23mA	25mA	40mA
Installation method	Ceiling, under detector					
Maximum installation height	-	-	3 m	3 m	-	3 m
Light coverage according to EN54-23	-	-	C-3-10 O-4-10	C-3-8 O-3.3-8	-	C-3-10 O-4-10
Flash frequency	-	-	0.5Hz	0.5Hz	-	0.5Hz
Flash color	-	-	White	White	-	White
Number of selectable tones	14	14	14	14	104	104
Sound pressure at 1 mt.	98dB					
IP Protection grade	IP21					
Operating temperature	from -10 to 55°C					
Synchronization	Yes					
Multicolor indicating LED	Yes					
Detector base included	Yes					
Dimensions	112 x 112.5 x 53.3 mm					
Weight	200 g	200 g	220 g	220 g	200 g	220 g

# ISB1000

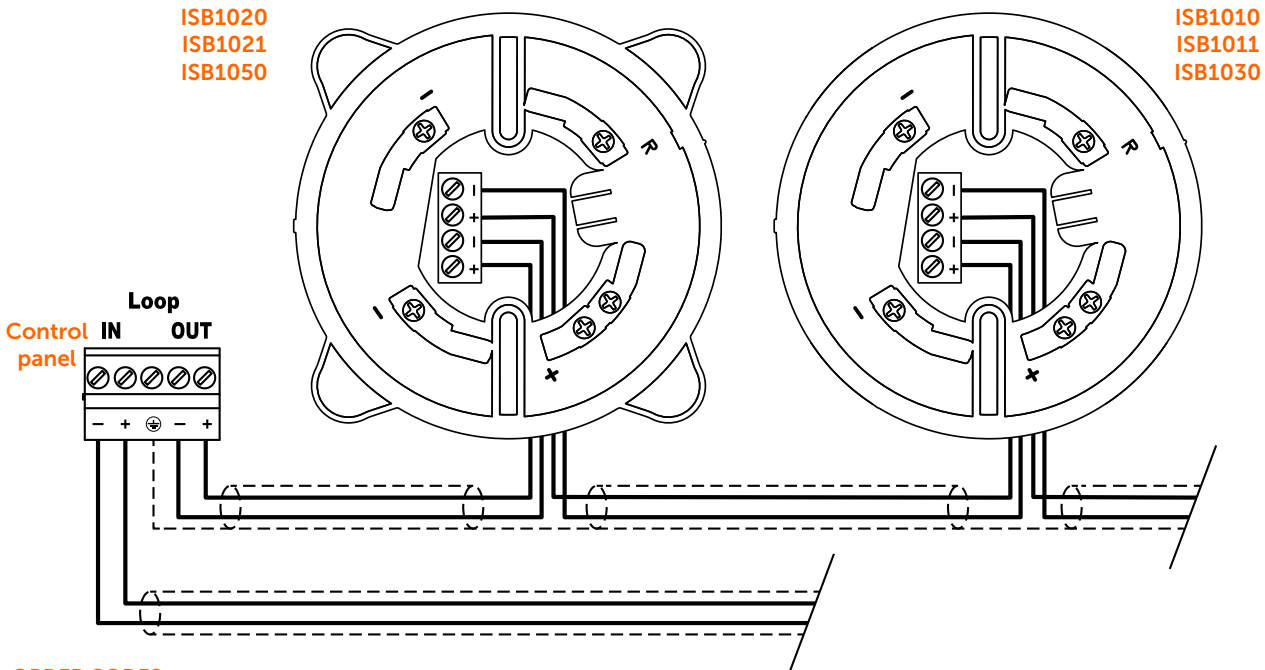


0051  
0051-CPR-1318  
0051-CPR-1319  
0051-CPR-2037  
0051-CPR-2038

## FLASH COVERAGE VOLUME



## CONFIGURATION DIAGRAM



## ORDER CODES

- ISB1010** Non-addressable base with audible signalling
- ISB1011** Non-addressable base with audible signalling, low power consumption
- ISB1020** Non-addressable base with audible/visual signalling
- ISB1021** Non-addressable base with audible/visual signalling, low power consumption
- ISB1030** Non-addressable base with audible signalling and voice functions
- ISB1050** Non-addressable base with audible/visual signalling and voice functions



Centobuchi, via Dei Lavoratori 10  
63076, Monteprandone (AP), ITALY  
Tel. +39 0735 705007 \_ Fax +39 0735 704912

info@inim.biz \_ [www.inim.biz](http://www.inim.biz)

Inim distributor's stamp  
and signature