

ESB1000



EN 54-3
EN 54-17
EN 54-23



0051
0051-CPR-1316
0051-CPR-1317
0051-CPR-2035
0051-CPR-2036

ADDRESSABLE BASES

WITH VISUAL/AUDIBLE ALARM INDICATOR

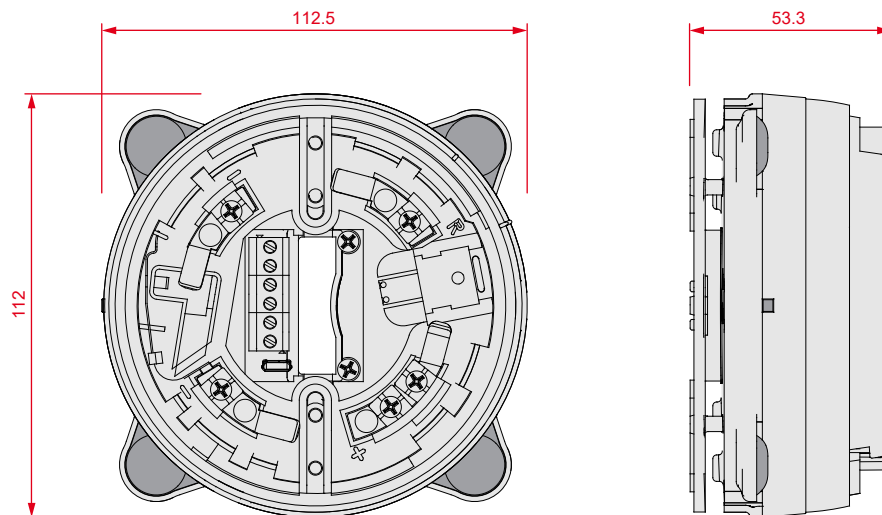


ESB1010
ESB1011
ESB1030



ESB1020
ESB1021
ESB1050

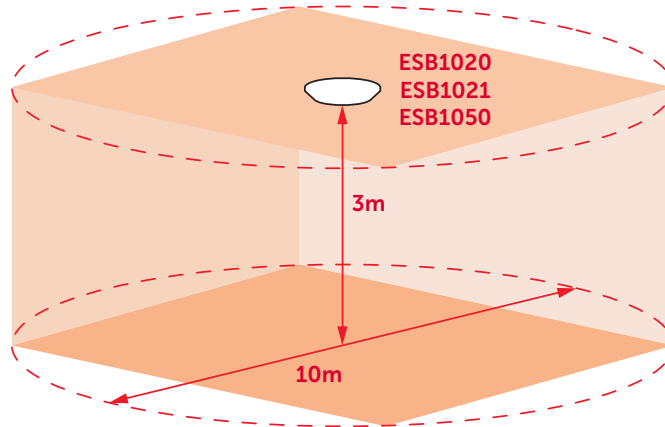
Base for Enea series detectors with visual/audible alarm signaller, equipped with own address and capable of changing tone (or voice message, for versions with the voice function) in accordance with the situation, IP21 protection grade. Volume, flash intensity and sound sequences can be selected between the 14 tones on-board the device (and 16 voice messages available in 8 different languages, only for versions with the voice function). For models with the voice alarm function, it is also possible to customize tones/voice messages by means of the EDRV2000. The device is powered via the loop but is equipped with terminals for an optional separate power input, depending on the model.



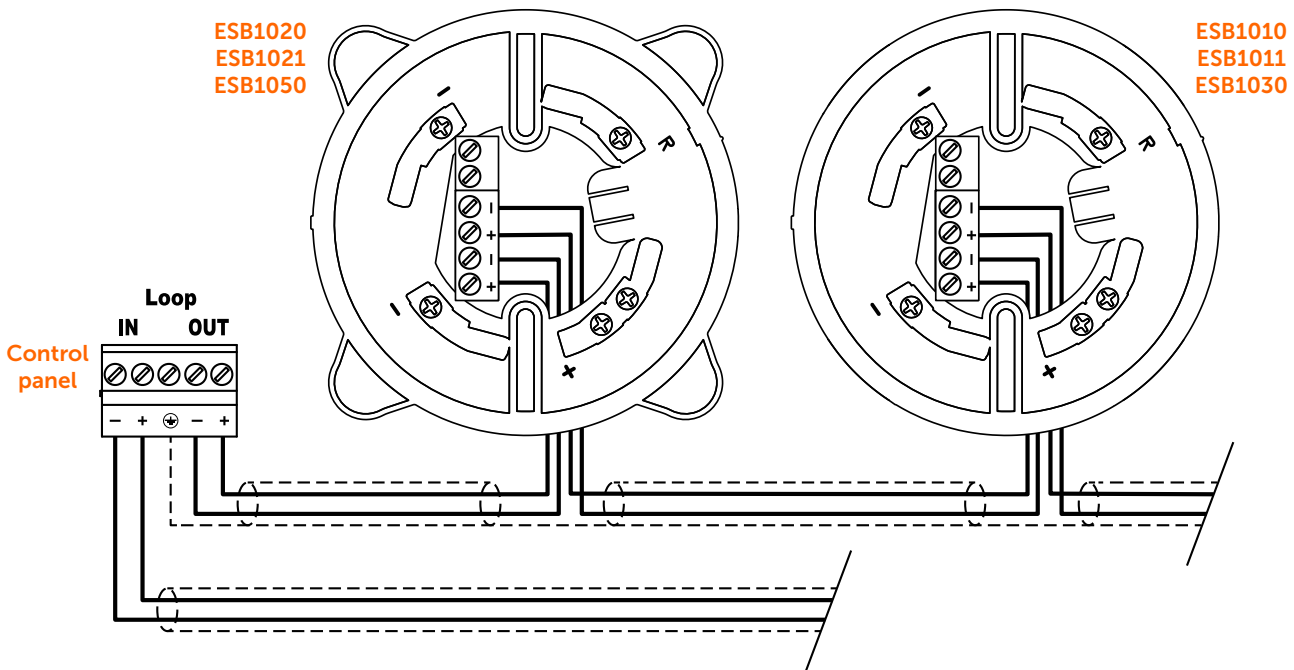
Main features

	ESB1010	ESB1011	ESB1020	ESB1021	ESB1030	ESB1050
Power supply voltage	18 - 30V [~]	20 - 30V [~]	18 - 30V [~]	20 - 30V [~]	18 - 30V [~]	18 - 30V [~]
Power supply voltage	by loop	Yes	Yes	Yes	Yes	Yes
	by input (optional)	Yes	No	Yes	No	Yes
Stand-by current draw	200µA	500µA	200µA	500µA	200µA	200µA
Maximum current draw	25mA	5mA	40mA	23mA	25mA	40mA
Installation method	Ceiling, under detector					
Maximum installation height	-	-	3m	3m	-	3m
Light coverage according to EN54-23	-	-	C-3-10 O-4-10	C-3-8 O-3-3-8	-	C-3-10 O-4-10
Flash frequency	-	-	0.5Hz	0.5Hz	-	0.5Hz
Flash color	-	-	White	White	-	White
Number of selectable tones	14	14	14	14	104	104
Sound pressure at 1mt	98dB					
IP Protection grade	IP21					
Operating temperature	from -10 to 55°C					
Synchronization	Yes					
Multicolor indicating LED	Yes					
Detector base included	Yes					
Built-in short-circuit isolator (EN54-17)	Yes					
Dimensions	112 x 112.5 x 53.3mm					
Weight	200g	200g	220g	220g	200g	220g

FLASH COVERAGE VOLUME



CONFIGURATION DIAGRAM



ORDER CODES

- ESB1010** Addressable base with audible signalling
- ESB1011** Addressable base with audible signalling, low power consumption
- ESB1020** Addressable base with audible/visual signalling
- ESB1021** Addressable base with audible/visual signalling, low power consumption
- ESB1030** Addressable base with audible signalling and voice functions
- ESB1050** Addressable base with audible/visual signalling and voice functions