

ES1000



EN 54-3
EN 54-17
EN 54-23



0051
0051-CPR-1316
0051-CPR-1317
0051-CPR-2035
0051-CPR-2036

ANALOGUE ADDRESSABLE VISUAL/AUDIBLE ALARM INDICATORS, CEILING MOUNT



ES1010
ES1011
ES1030



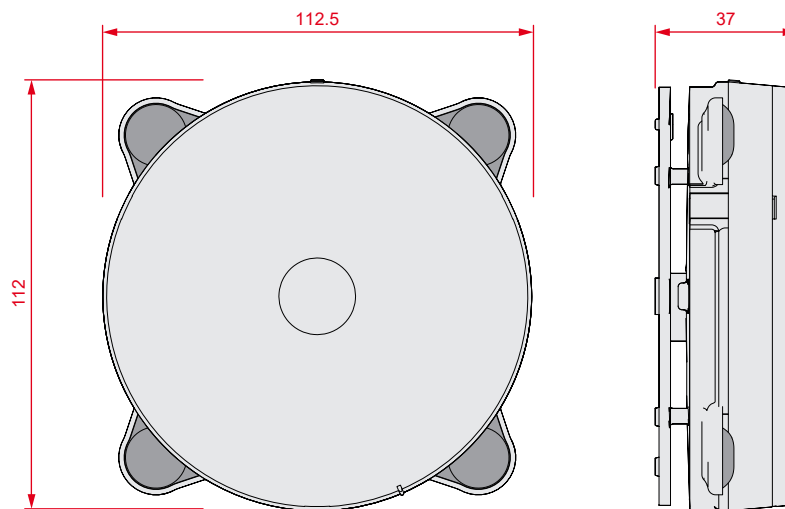
ES1020
ES1021
ES1050

Addressable visual/audible-alarm indicators for ceiling mounting, IP21 protection rated.

Volume, flash intensity and sound sequences can be selected from the 14 tones on-board the device (and 16 voice messages available in 8 different languages, only for versions with the voice function).

For models with the voice function, it is also possible to customize tones/voice messages by means of the EDRV2000.

The device is powered via the loop but is equipped with terminals for an optional separate power input, depending on the model.



Main features

	ES1010	ES1011	ES1020	ES1021	ES1030	ES1050
Operating voltage	18 - 30V $\overline{\text{ac}}$	20 - 30V $\overline{\text{ac}}$	18 - 30V $\overline{\text{ac}}$	20 - 30V $\overline{\text{ac}}$	18 - 30V $\overline{\text{ac}}$	18 - 30V $\overline{\text{ac}}$
Power supply voltage	by loop	Yes	Yes	Yes	Yes	Yes
	by input (optional)	Yes	No	Yes	No	Yes
Stand-by current draw	200 μ A	500 μ A	200 μ A	500 μ A	200 μ A	200 μ A
Maximum current draw	25mA	5mA	40mA	23mA	25mA	40mA
Installation method	Ceiling mount					
Maximum installation height	-	-	3 m	3 m	-	3 m
Light coverage according to EN54-23	-	-	C-3-10 O-4-10	C-3-8 O-3-3-8	-	C-3-10 O-4-10
Flash frequency	-	-	0.5Hz	0.5Hz	-	0.5Hz
Flash color	-	-	White	White	-	White
Number of selectable tones	14	14	14	14	104	104
Sound pressure at 1 mt.	98dB					
IP Protection grade	IP21					
Operating temperature	from -10 to 55°C					
Synchronization	Yes					
Multicolor indicating LED	Yes					
Built-in short-circuit isolator (EN54-17)	Yes					
Dimensions	112 x 112,5 x 37 mm					
Weight	155g	155g	175g	175g	155g	175g

ES1000

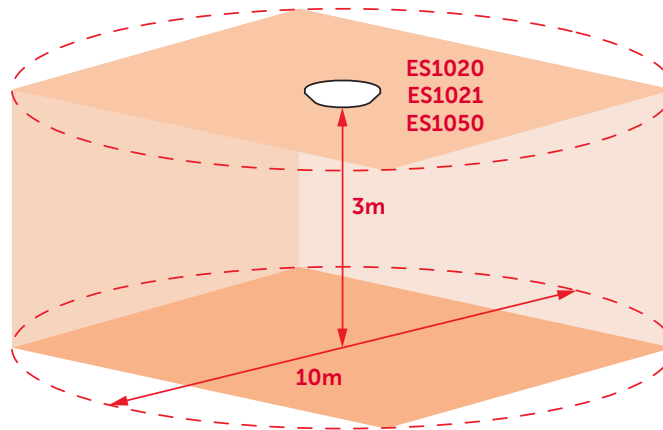


EN 54-3
EN 54-17
EN 54-23

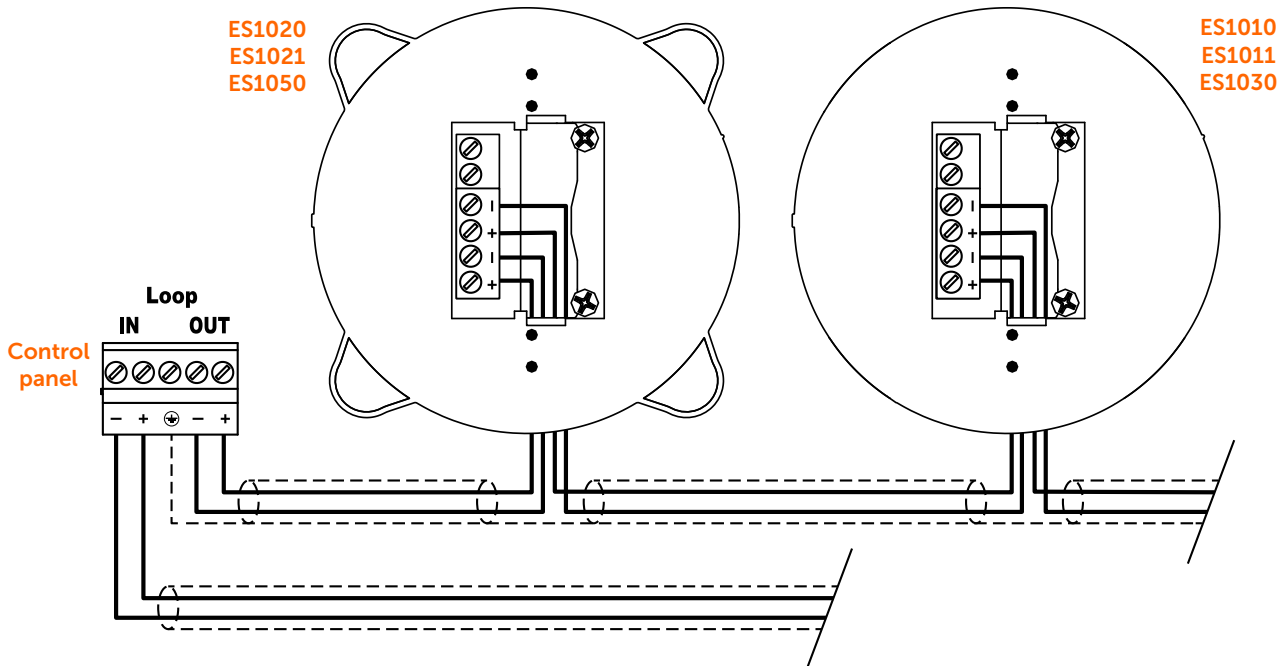


0051
0051-CPR-1316
0051-CPR-1317
0051-CPR-2035
0051-CPR-2036

FLASH COVERAGE VOLUME



CONFIGURATION DIAGRAM



ORDER CODES

- ES1010** Audible alarm indicator, ceiling mount, addressable
- ES1011** Audible alarm indicator, ceiling mount, addressable, low power consumption
- ES1020** Visual/Audible alarm indicator, ceiling mount, addressable
- ES1021** Visual/Audible alarm indicator, ceiling mount, addressable, low power consumption
- ES1030** Audible alarm indicator with voice alert, ceiling mount, addressable
- ES1050** Visual/Audible alarm indicator with voice alert, ceiling mount, addressable



Centobuchi, via Dei Lavoratori 10
63076, Monteprandone (AP), ITALY
Tel. +39 0735 705007 _ Fax +39 0735 704912

info@inim.biz _ www.inim.biz

Inim distributor's stamp
and signature