

EM600



MUTE BUTTON



VERSA⁺⁺



By installing an EM600 button (“Hush button”) inside each apartment, in the event of a smoke alarm a voice message will warn only the occupants of the apartment in danger. In the event of a false alarm, the occupants will have the opportunity to silence the alarm and several minutes to remove the cause. Clear and intuitive voice messages guide the building occupants throughout the various phases.



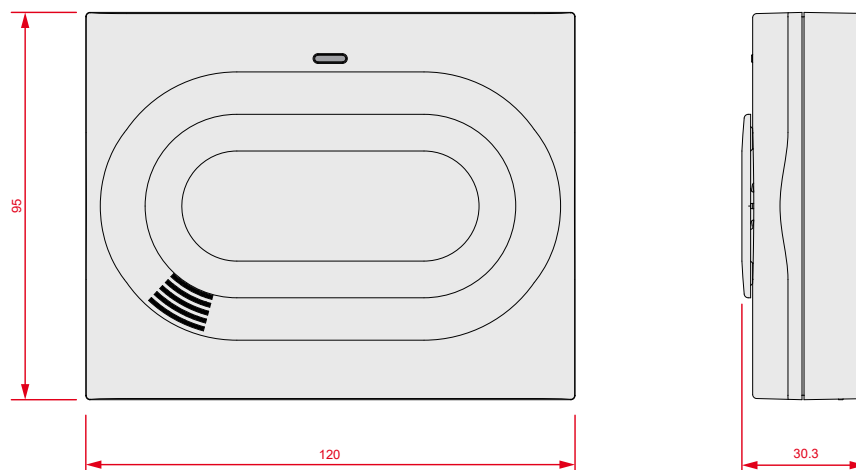
Warning

The EM600 button is only compatible with Previdia series control panels (Previdia Max control panel, via FPMCPU modules, revision 1.00 build 1.18, and IFM2L revision 1.0.8 or later, and Previdia Compact control panels, revision.1.00 - build: 2.02 or successive versions). The procedure for temporarily disabling smoke detection by means of EM600 does not comply with the specifications of the EN54-2 standard.

TECHNICAL FEATURES

- Self-addressing (each device is identified by a factory-assigned serial number)
- LoopMap Technology
- Versa++ Technology
- 240 addresses
- Built-in short-circuit isolator
- LEDs to indicate the status of inputs, outputs and communication with the control panel
- Power supply voltage $19 \pm 30Vdc$
- Current draw during standby $100 \mu A$
- Current absorbed when activated $5 mA$
- Dimensions: $120 \times 95 \times 31mm$
- Weight $96 g$

DIMENSIONS



OPERATION

Control panel in stand-by

Pressing the EM600 hush button when the reference zone is in stand-by status will disable smoke detection on the zone point detectors for the preset time (default of 10 minutes).

On activation of the button the device will indicate the occurred disablement via tone/voice message and by switching on the red LED. One minute after the expiry of the preset time, a new tone/message will indicate the imminent rehabilitation of the smoke detection feature.

Further activations of the button during the period of disablement will have no effect.

Control panel in pre-alarm

If a "Smoke pre-alarm" condition occurs (generated by one of the detectors of the reference zone of the EM600 button), pressing the button will silence signalling for the pre-set time (default of 2 minutes).

The device will indicate, via tone/voice message and the red LED, that smoke detection has been disabled and alert the user to ventilate the room.

If, when the time ends, conditions have restored to normal (no smoke) the procedure will be terminated without need of further intervention. Otherwise, the "Smoke pre-alarm" signal will restart.

It is possible to silence "Smoke pre-alarm" signalling as many as 3 times, after which the alarm will be propagated to the entire building.

DOCUMENTATION

Declarations of Performance, Declarations of Conformity and Certificates concerning to Inim Electronics S.r.l. products may be downloaded free of charge from the web address www.inim.biz, getting access to Extended Access and then selecting 'Certifications' or requested to the e-mail address info@inim.biz or requested by ordinary mail to the address shown in this manual.

Manuals can be downloaded free of charge from the web address www.inim.biz, after authentication of credentials and by directly by accessing the page of each product.

ORDER CODES

EM600 Hush button.



Inim Electronics S.r.l.

Centobuchi, via Dei Lavoratori 10
63076, Monteprandone (AP), ITALY
Tel. +39 0735 705007 _ Fax +39 0735 704912

info@inim.biz _ www.inim.biz

Inim distributor's stamp and signature