

ANALOG ADDRESSABLE RESETTABLE MANUAL CALLPOINT



Each callpoint from the ENEA series is identified by a unique factory-assigned serial number. Therefore, these devices do not require the use of an address programmer. The serial number is located on the device label and on two stickers which can be positioned on the system layout and on the mounting base.

Once the loop wiring is complete, the EDRV1000 driver or control panel via the LoopMap application, enrolls all the connected devices automatically and reconstructs a map indicating the wiring order of the connected devices, "T" junctions and all the physical characteristics of the Loop.

LoopMap technology allows you reconstruct the exact installation layout and thus create an easy-to-use, interactive loop map which greatly simplifies and speeds up searches relating to system faults and maintenance work.

The serial self-addressing function, developed by Inim's R&D

professionals, allows you to add new devices to an existing system without reprogramming it. In this way, the LoopMap specifications remain unchanged and the new devices are assigned available logical addresses (in order) and correctly positioned on the interactive map. The self-addressing

function also eliminates many of the problems connected with the manual addressing procedure, such as time-consuming operations on rotary/DIP switches and errors caused by duplicated or wrong addresses and similar problems. LoopMap technology not only makes the self-addressing process more reliable, it also speeds up fault searches, facilitates system expansion, simplifies changes and assures greater flexibility and lower costs.

Fixed manual callpoint systems are used to integrate the automatic signalling capacities of fire detection systems, as described in the regulations in force. Each zone must include a certain number of manual callpoints. At least one of these callpoints must be located in a place which can be easily reached from all parts of the zone, at a distance of not more than 30m in low to average risk environments and 15m in average to high risk environments.

Alarm signalling is activated by pressing the transparent plastic frontplate (no broken glass) and reset by means of the plastic key. The operating status analysis is implemented by the callpoint which transmits the completed reports to the control panel.

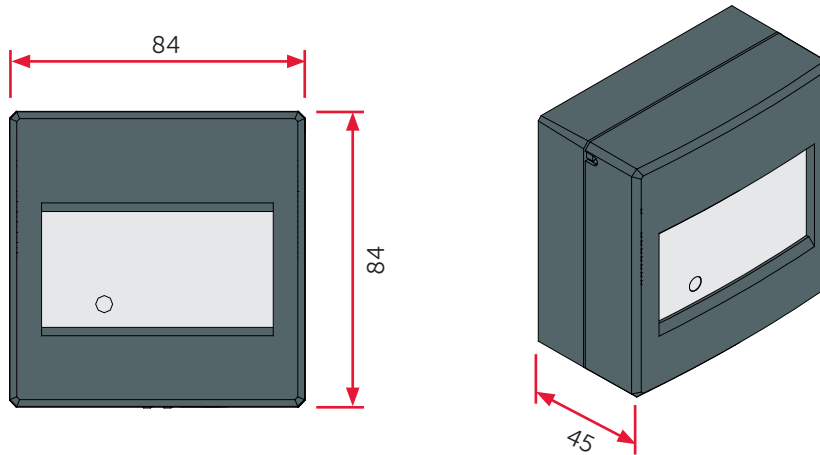
The device is equipped with a line isolator which is capable of isolating eventual short-circuits on the loop.



TECHNICAL SPECIFICATIONS

- Certification CPR EN54pt11/pt17
- Serial self-addressing (each device is identified by a factory-assigned serial number)
- Built-in short-circuit isolator
- 240 addresses
- Cable 2x1mm – 2x2mm
- LED: multicolor for device status signalling
- Operating voltage from 19 to 30V
- Current draw during standby 80µA
- Current draw during alarm 5mA
- Alarm signals by colored LED and colored flag
- Operating temperature from -10 to +55 °C
- Dimensions (HxWxD) 84X84X45 mm
- Weight 126 g

DIMENSIONS



IN THE PACKAGE

- Package dimensions: 110 x 97 x 57 mm
- Weight with packaging: 170g

ORDER CODES

EC0020: analog addressable manual callpoint with resettable element

WCP0020: transparent plastic screen against accidental activation for EC0020/IC0020 callpoint

FCP0020: plastic bracket for flush mounting for EC0020/IC0020 callpoint

DBCP0020: deep box for external pipe fitting for EC0020/IC0020 callpoint

KCP0020: key for resettable element for EC0020/IC0020 callpoint